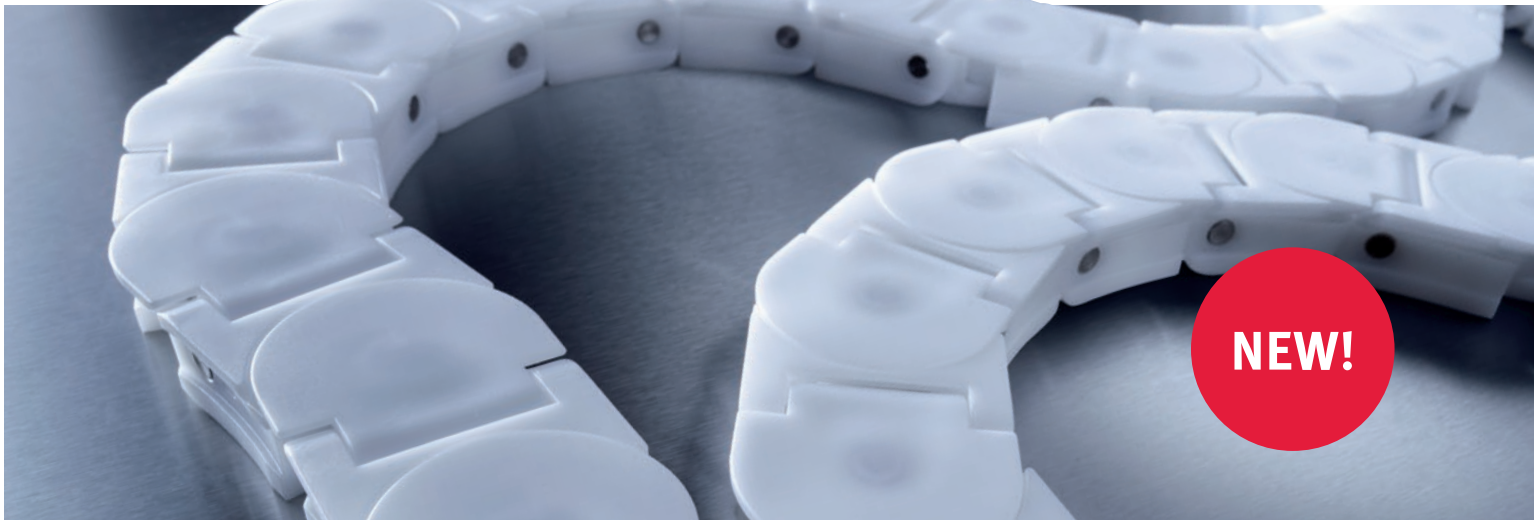


FLEXON®



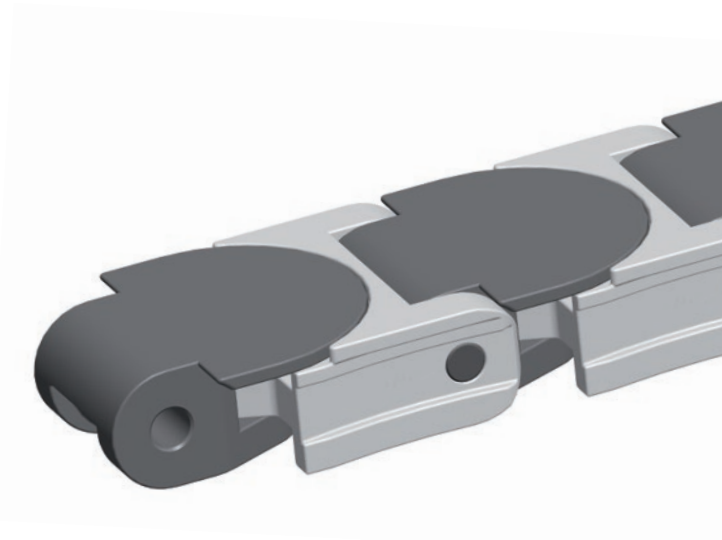
Safety first – with the SafeTopChain from FLEXON

Task/challenge: Conveyor systems contain many hazards for staff and conveyed materials, but systems are also required to be highly flexible and offer 3D movement capability.

Our solution: The new **FLEXON SafeTopChain** was designed with a completely closed upper surface, minimising the risk of crushing in curves or deflections and offering maximum stability for products and workpiece carrier systems. The special surface also enables even the smallest parts to be transported risk-free.

Highlights

- Requires the same guides as the normal plastic multiflex chains from the 1700 Series
- By using turning disks with a minimum radius of 123.5mm, dynamic friction is replaced by rolling friction; this allows longer conveyors with more curves, as well as vertical/spiral conveyor systems to overcome gradients and providing buffering.
- Improved chain geometry enables the use of wider sprockets, thus reducing wear through lower surface pressure when teeth engage.





Technical dimensions

Chain type	Chain width	Chain height	Pitch	Backbend radius (idler wheel, tensi-ning roller)	Curve radius (min.)	Turning disk radius (min.)	Sprocket tooth width
	B mm	H mm	P mm	R1 mm	R mm	R2 mm	Bz mm
SafeTopChain – STC	55	24	57	50	125	123,5	20

Industries:

- Industrial automation
- Automotive industry
- Packaging industry
- Food industry
- Pharmaceutical industry
- Logistics systems
- Bakery industry

